

TN-28

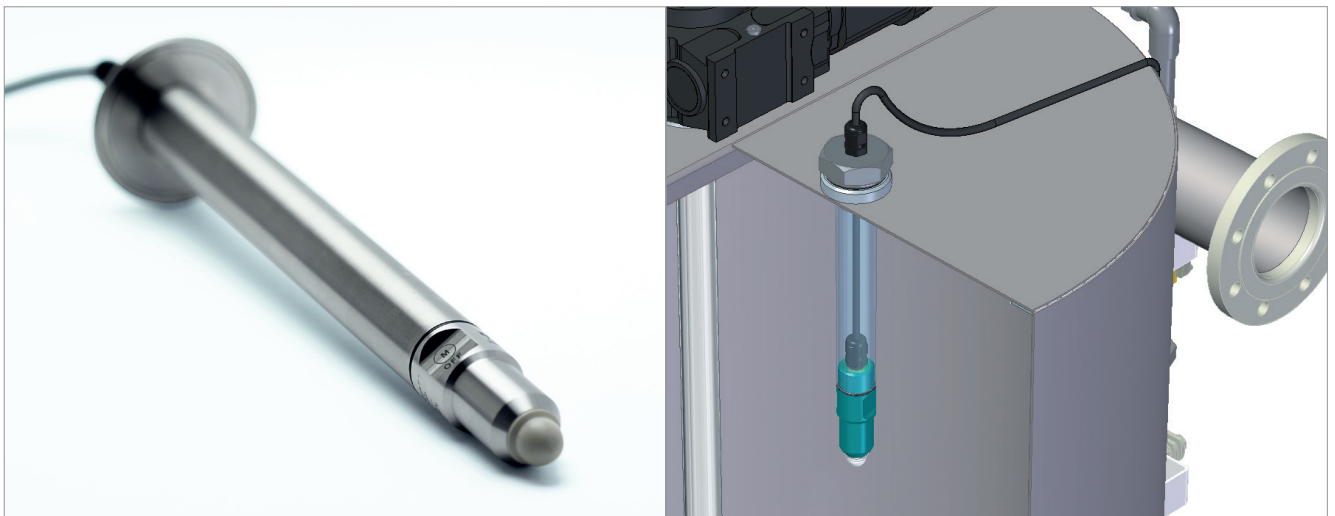
Dinel®

TUBULAR EXTENDER

Accessories for RFLS-28
high-frequency level sensors



CE



- The tubular extender is used for vertical mounting of the RFLS-28 sensor in tanks, vessels and sumps
- Choice from three types of process connection: flange, G1" thread or Tri-Clamp

Standard material performance

| | | |
|---------------------------------------|-----------------|--|
| Tube 28 x 2.5 | | stainless steel W. No. 1.4404 (AISI 316 L) |
| Process connection | Flange mounting | stainless steel W. No. 1.4301 (AISI 304)* |
| | G1" thread | stainless steel W. No. 1.4301 (AISI 304)* |
| | Tri-Clamp | stainless steel W. No. 1.4404 (AISI 316 L) |
| Seal under flange / threaded mounting | | AFM 38 |
| O-ring | | NBR / EPDM / FPM |
| Cable gland | | PA / NBR plastics |
| Minimum tubular extender length | | 100 mm |
| Maximal tubular extender length | | 3000 mm** |

* By agreement, it is possible to choose stainless steel W. No. 1.4404 (AISI 316 L).

** If there is a stirrer in the tank, it is necessary to consult the length of the tubular extender with the manufacturer.



flange

G1" thread

Tri-Clamp



PROCESS CONNECTION OF TUBULAR EXTENDER

| TN-28-P (flange) | TN-28-Z (G1" thread) | TN-28-CI (Tri-Clamp) |
|------------------|----------------------|----------------------|
| | | |
| | | |

* If there is a stirrer in the tank, it is necessary to consult the length of the tubular extender with the manufacturer.

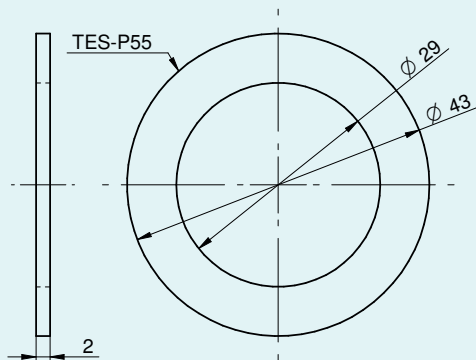
We also offer the option of flanges made-to-order.

TYPES OF CABLE GLANDS

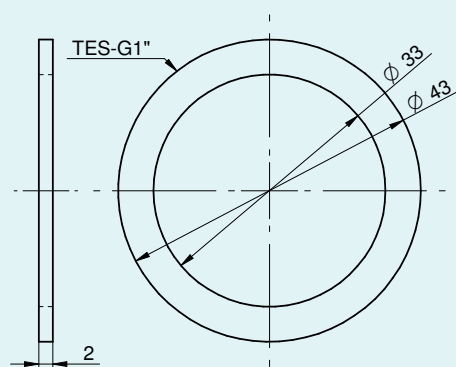
| B | V | H |
|------------------------------------|--|---|
| <p>with a standard cable gland</p> | <p>with a plastic cable gland with spiral relief – for cables under an increased mechanical stress</p> | <p>with a cable gland for protecting hoses – for use outdoors or in places with high humidity</p> |
| | | |

SEAL

under flange



under threaded mounting



ORDER CODE

TN-28

PROCESS CONNECTION

- P** flange, 1 pc gasket AFM (included)
- Z** G1" thread, 1 pc gasket AFM (included)
- Cl** Tri-Clamp

O-RING

- B** NBR O-ring
- E** EPDM O-ring
- V** FPM O-ring

ELECTRICAL CONNECTION

- B** plastic cable gland
- V** cable gland with spiral
- H** cable gland for protecting hose

TUBE LENGTH

- L** length in mm

TN-28 - P - B - B - L300

EXAMPLE OF CODING

Dinel, s. r. o.
 U Tescomy 249, 760 01 Zlín, Czech Republic
 tel.: +420 577 002 003
 email: sale@dinel.cz

www.dinel.cz

version:
03/2025

