

# CNP-18

# Dinel®

## CONDUCTIVE PROBE

For direct level detection of electrically conductive liquids



CE



- For limit level detection of liquids
- Media temperature up to +130°C
- Simple assembly, long service-life
- Housing and electrode is from stainless steel
- Designed with short bar electrode or dismantable rod electrode

### TECHNICAL SPECIFICATIONS

Ambient temperature		Max. 95°C
Maximum pressure	For 25°C For 95°C	4 MPa 1.5 MPa
Cable	CNP-18N CNP-18F	PVC 2x 0.75 mm <sup>2</sup> cableless (screw connector)
Insulation bushing		PTFE (Polytetrafluorethylene)
Protection class (CNP-18N)		IP67
Housing material		St. steel W.Nr. 1.4305 (AISI 303)
Weight		Approx. 100 g



# BASIC FEATURES AND USE

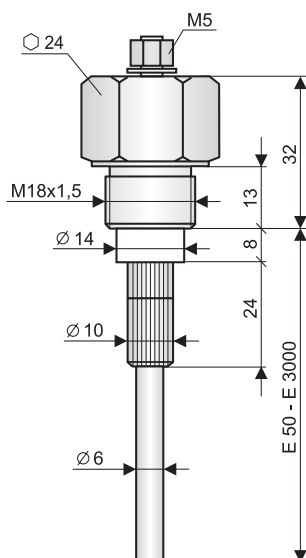
**Conductive probes CNP-18** are designed for direct detection of conductive liquids level (water, water solutions). The process connection is M18x1.5 threaded connection, and electrical by fixed cable or screw connector. The probes are connected to Dinel evaluation unit, type CDSU-522 (CDSU-522-W), or other types of evaluation units suitable for connection of the conductive sensors.

## VARIANTS

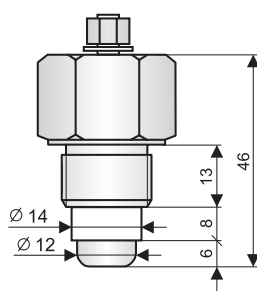
code	type
CNP - 18N - 10	<b>Short bar electrode</b> for horizontal mounting, fixed cable
CNP - 18F - 10	<b>Short bar electrode</b> for horizontal mounting, screw connector
CNP - 18N - 30	<b>Dismountable rod electrode</b> (from 50 up to 3000 mm) for vertical mounting, fixed cable
CNP - 18F - 30	<b>Dismountable rod electrode</b> (from 50 up to 3000 mm) for vertical mounting, screw connector

# DIMENSIONS

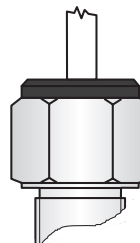
CNP-18F-30



CNP-18F-10

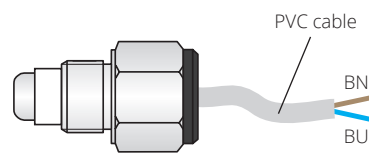


Variant N  
with fixed cable



# ELECTRICAL CONNECTION

Variants "CNP-18N" are manufacture with 2-wire fixing cable. Housing probe is electrically connection to blue conductor (BU), probe electrode is electrically connection to brown conductor (BN). Probe variants CNP-18F are manufacture with screw connector electrically connection to housing. For evaluate the states of conductive probes we recommended use Dinel Level control relay units (CDSU-522 or CDSU-522-W).



**Legend:**  
BN – Brown  
BU – Blue

Fig. 1: CNP-18N cable connection

# ORDER CODE AND CORRECT SPECIFICATION EXAMPLE

ORDER CODE		
<b>CNP-18</b>		
<b>PERFORMANCE TYPE</b>		
<b>N</b>	fixed cable	
<b>F</b>	screw connector M5	
<b>ELECTRODE TYPE</b>		
<b>10</b>	bar electrode, length 14 mm	
<b>30</b>	dismountable rod electrode, length 50 ... 3000 mm	
<b>PROCESS CONNECTION</b>		
<b>M18</b>	metric thread M18 x 1,5	
<b>G1/2</b>	thread G 1/2"	
<b>G3/8</b>	thread G 3/8"	
<b>ELECTRODE LENGTH</b>		
<b>E</b>	length of electrode in mm, only for type 30	
<b>CABLE</b>		
<b>K</b>	cable length in m	
CNP-18	N - 30 - M18 E1200 K 3 M	EXAMPLE OF CODING

# ACCESSORIES

cable (nad standardní délku 2 m)	at extra cost
----------------------------------	---------------

The manufacturer reserves the right to change the specifications and appearance of the product without prior notice.

**Dinel, s. r. o.**  
U Tescomy 249, 760 01 Zlín  
tel.: +420 577 002 000  
e-mail: sale@dinel.cz

[www.dinel.cz](http://www.dinel.cz)

version:  
01/2024

